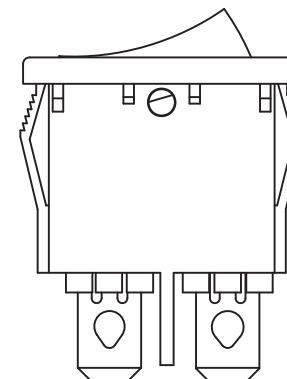
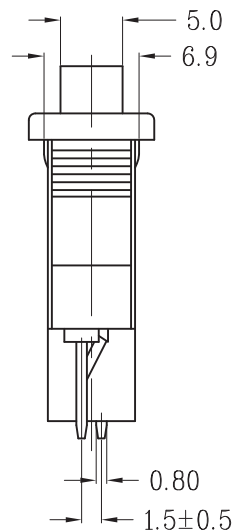
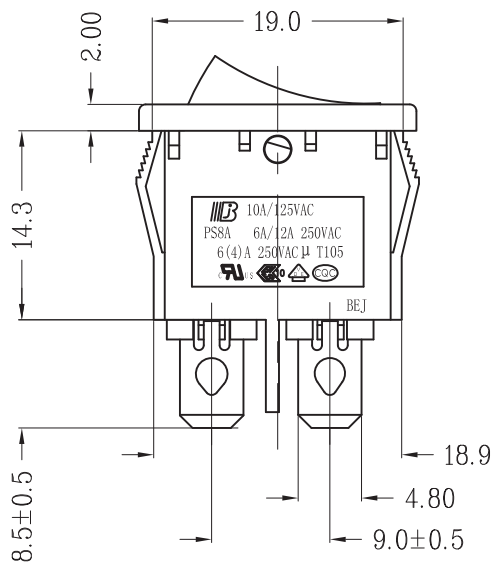


- 1、FUNCTION: OFF-ON
- 2、RATING: UL: 10A 125VAC  
CQC: 6A/12A 250VAC  
ENEC VDE: 6(4)A 250VAC $\mu$ T105
- 3、OPERATION FORCE: 500 $\pm$ 300g.f
- 4、CONTACT RESISTANCE:  $\leq$  50 m $\Omega$
- 5、INSULATION RESISTANCE:  $\geq$  100 M $\Omega$
- 6、DIELECTRIC WITHSTAND VOLTAGE: **TERMINAL TO BUTTON 3000VAC/5mA/1MIN**  
**TERMINAL TO TERMINAL 1500VAC/5mA/1MIN**
- 7、CIRCUIT DIAGRAM:



TOLERANCE UNLESS SPECIFIED				
.X: $\pm 0.30$ .XX: $\pm 0.15$ ANGULAR: $\pm 3.0^\circ$				
PROJECTION:		V6.0		
ISSUE	DATE	DESCRIPTIONS OF REVISION		APPD.
TITLE: ROCKER SWITCH		UNIT: mm	SCALE: NOT SCALE	DRWG NO.: BEJ.PS8C0027
MODEL PS8A-1-B1B3-1H-10		FUNCTION: OFF-ON		DWN. 赵月丽 2013-10-16
东莞市涪程电子科技有限公司		CHK'D.	冯辉	2013-10-16
		APPD.	TAM	2013-10-16